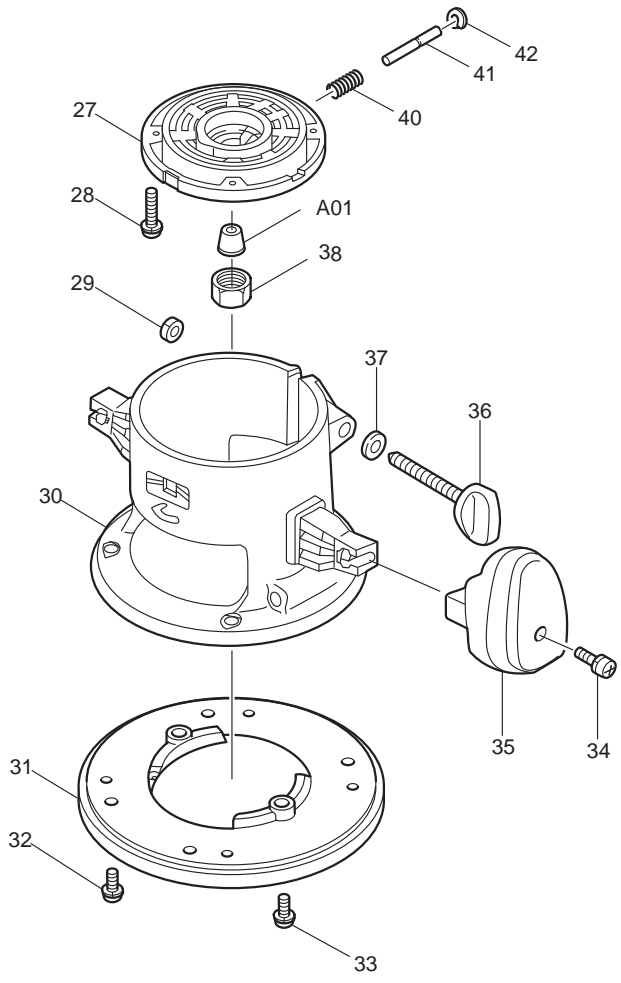
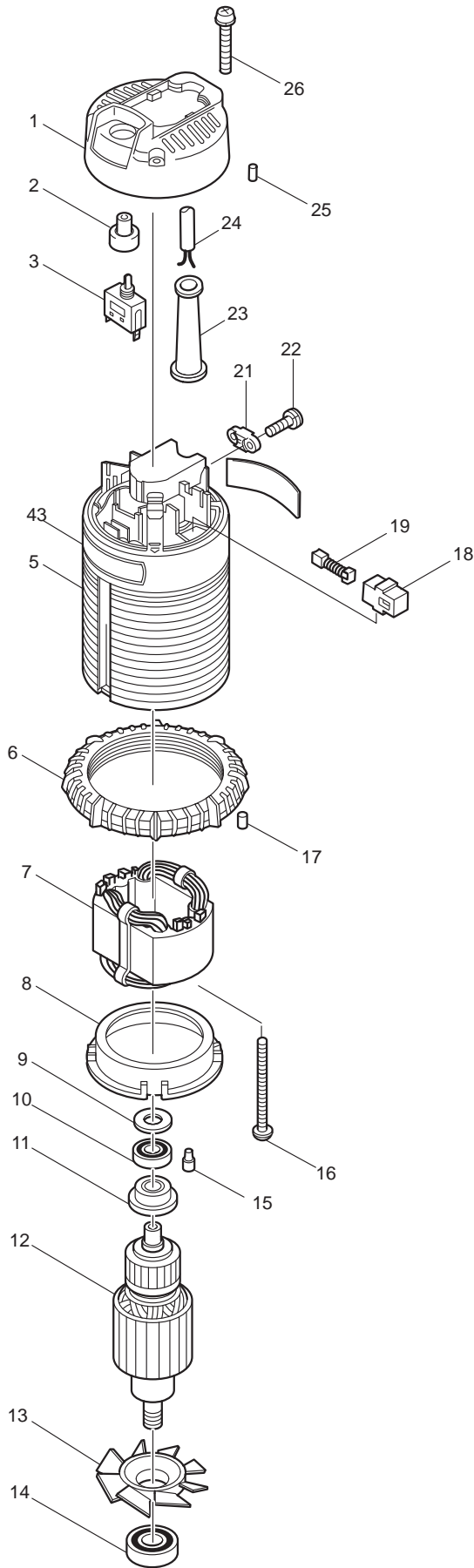




08 - 2010  
3606  
1/4" ROUTER



| Item No | Type | Sub  | Part No  | Description                             | Qty | Unit |
|---------|------|------|----------|---|-----|------|
| 001     |      |      | 154380-7 | REAR COVER COMPLETE                     | 1   | PC.  |
|         |      | INC. |          | Item No. 25                             |     |      |
| 002     |      |      | 652154-5 | CAP                                     | 1   | PC.  |
| 003     | 2    |      | 651433-8 | SWITCH ST115A-32                        | 1   | PC.  |
| 005     |      |      | 159816-1 | * MOTOR HOUSING COMPLETE (TYPE2)        | 1   | PC.  |
|         |      | INC. |          | Item No. 15                             |     |      |
| 006     |      |      | 154382-3 | RING COMPLETE                           | 1   | PC.  |
|         |      | INC. |          | Item No. 17                             |     |      |
| 007     |      |      | 594061-5 | FIELD ASS'Y 115V                        | 1   | PC.  |
|         | 2    | INC. | 654037-5 | INSULATED EYE TERMINAL FT1.25-M3        | 2   | PC.  |
| 008     |      |      | 414315-3 | BAFFLE PLATE                            | 1   | PC.  |
| 009     |      |      | 253192-6 | FLAT WASHER 14                          | 1   | PC.  |
| 010     |      |      | 211033-2 | BALL BEARING 608LB                      | 1   | PC.  |
| 011     |      |      | 681625-5 | INSULATION WASHER                       | 1   | PC.  |
| 012     | 2    |      | 518643-9 | ARMATURE ASS'Y 115V                     | 1   | PC.  |
|         |      | INC. |          | Item No. 10,11,13,14                    |     |      |
| 013     |      |      | 241627-9 | FAN 66                                  | 1   | PC.  |
| 014     |      |      | 211236-8 | BALL BEARING 6002DDW                    | 1   | PC.  |
| 015     |      |      | 263014-2 | RUBBER PIN 4                            | 1   | PC.  |
| 016     |      |      | 251353-2 | + PAN HEAD SCREW M5X60                  | 2   | PC.  |
| 017     |      |      | 263002-9 | RUBBER PIN 4                            | 1   | PC.  |
| 018     |      |      | 643605-9 | BRUSH HOLDER                            | 2   | PC.  |
| 019     | 2    |      | 194977-0 | CARBON BRUSH CB-107 2PC/SET (W/ ORIGIN) | 1   | SET  |
| 020     |      |      | 856399-9 | NAME PLATE F/ 3606                      | 1   | PC.  |
| 021     |      |      | 687063-9 | * CORD CLAMP (STRAIN RELIEF)            | 1   | PC.  |
| 022     | 2    |      | 265A48-7 | * TAPPING SCREW 4X18                    | 2   | PC.  |
| 023     |      |      | 682502-4 | CORD GUARD 8-85                         | 1   | PC.  |
| 024     |      |      | 664064-4 | CORD W/PLUG 2P-18-2.5M, SJ              | 1   | PC.  |
| 025     |      |      | 263002-9 | RUBBER PIN 4                            | 2   | PC.  |
| 026     |      |      | 266053-1 | * TAPPING SCREW 4X35 (TYPE2)            | 4   | PC.  |
| 027     |      |      | 316107-5 | MOTOR BRACKET                           | 1   | PC.  |
| 028     |      |      | 911136-9 | PAN HEAD SCREW M4X20                    | 4   | PC.  |
| 029     |      |      | 931302-2 | HEX. NUT M6                             | 1   | PC.  |
| 030     |      |      | 414317-9 | BASE                                    | 1   | PC.  |
| 031     |      |      | 411473-6 | BASE PLATE                              | 1   | PC.  |
| 032     |      |      | 911207-2 | PAN HEAD SCREW M5X10 (OLD# 911202-2)    | 4   | PC.  |
| 033     |      |      | 911206-4 | PAN HEAD SCREW M5X10 (OLD# 911211-1)    | 2   | PC.  |
| 034     |      |      | 911323-0 | PAN HEAD SCREW M6X16                    | 2   | PC.  |
| 035     |      |      | 414319-5 | KNOB                                    | 2   | PC.  |
| 036     |      |      | 251870-2 | SCREW M6X50                             | 1   | PC.  |
| 037     |      |      | 941151-9 | FLAT WASHER 6                           | 1   | PC.  |
| 038     |      |      | 763606-2 | COLLET NUT 6                            | 1   | PC.  |
| 040     |      |      | 231464-9 | COMPRESSION SPRING 5                    | 1   | PC.  |
| 041     |      |      | 256190-9 | PIN 5                                   | 1   | PC.  |
| 042     |      |      | 961017-7 | STOP RING E-3                           | 1   | PC.  |
| 043     |      |      | 819063-3 | MAKITA LABEL                            | 1   | PC.  |
| 101     |      |      | 652250-9 | CLAMP WASHER (Old)                      | 2   | PC.  |
| 102     |      |      | 652008-6 | P.H. SCREW M3.5 X 7                     | 2   | PC.  |
| 200     |      |      | 924311-8 | T. SCREW M6 X 12                        | 2   | PC.  |
| 210     |      |      | 163263-0 | ROLL                                    | 1   | PC.  |
| 211     |      |      | 251879-4 | SCREW                                   | 1   | PC.  |
| 212     |      |      | 312038-6 | TRIMMER GUIDE HOLDER                    | 1   | PC.  |
| 213     |      |      | 342427-1 | PLATE HOLDER                            | 1   | PC.  |
| 214     |      |      | 923211-9 | C.S.N. BOLT M5 X 12                     | 1   | PC.  |
| 215     |      |      | 924316-8 | T. SCREW M6 X 15                        | 1   | PC.  |
| 216     |      |      | 924346-9 | T. SCREW M6 X 30 TYPE 2                 | 2   | PC.  |

| Item No | Type | Sub | Part No  | Description     | Qty | Unit |
|---------|------|-----|----------|-----------------|-----|------|
| 217     |      |     | 934201-7 | WING NUT M5     | 1   | PC.  |
| 219     |      |     | 942101-7 | SPRING WASHER 5 | 1   | PC.  |
| 220     |      |     | 942151-2 | SPRING WASHER 6 | 3   | PC.  |

### ACCESSORIES

|     |   |      |          |  |   |     |
|-----|---|------|----------|--|---|-----|
| A01 |   |      | 763608-8 | COLLET CONE 1/4"   | 1 | PC. |
| A02 | 2 |      | 781037-3 | WRENCH 17  | 1 | PC. |
| A03 |   |      | ----     | TEMPLER GUIDE (See Catalogue for details)                                | 1 | PC. |
| A04 |   |      | 123058-3 | STRAIGHT GUIDE   | 1 | PC. |
|     |   | INC. |          | Item No. 200   | 1 | PC. |
| A05 |   |      | 122343-1 | TRIMMER GUIDE ASSY   | 1 | PC. |
|     |   | INC. |          | Item No. 210 - 220   | 1 | PC. |
| A06 |   |      | 252627-4 | NUT M30 (With Item No. A07 and A08)                                      | 1 | PC. |
| A07 |   |      | 321492-3 | TEMPLER GUIDE ADAPTR   | 1 | PC. |
| A08 |   |      | ----     | TEMPLER GUIDE (See Catalogue for details)<br>(with Item No. A06 and A07) | 1 | PC. |
| A09 |   |      | ----     | ROUTER BIT (See Catalogue for details)                                   | 1 | PC. |
| A10 |   |      | P-80007  | DUST NOZZLE SET  | 1 | PC. |
| A11 |   |      | 192279-8 | HOSE 1" DIA.X9.6FT   | 1 | PC. |
| A12 |   |      | -----    | DOVETAIL ROUTER BITS   |   |     |
| A14 |   |      | 345387-6 | TEMPLER GUIDE 5/8" Use F/KJ150   | 1 | PC. |

### SERVICE CHANGES

#### 1. Changes on Motor Housing Com., Strain Relief and Screws.

| Item No.                   | Description        | Type 1           | Type 2   |
|----------------------------|--------------------|------------------|----------|
| 5                          | Motor Housing Com. | 159037-5 (N/L/A) | 159816-1 |
| 21                         | Strain Relief      | 687002-9         | 687063-9 |
| 22                         | Screw              | 911133-5         | 265995-6 |
| 26                         | Screw              | 911163-6         | 266053-1 |
| Serial No.(MCA Production) |                    | ----             | 1001~    |

Above parts are completely interchangeable as a set.

